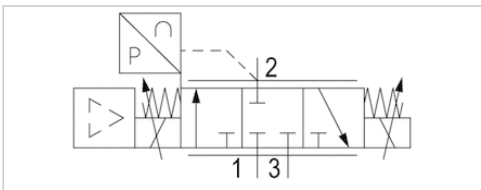
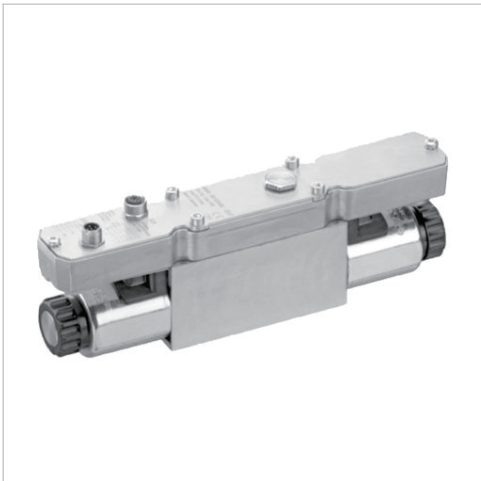


E/P Pressure regelator

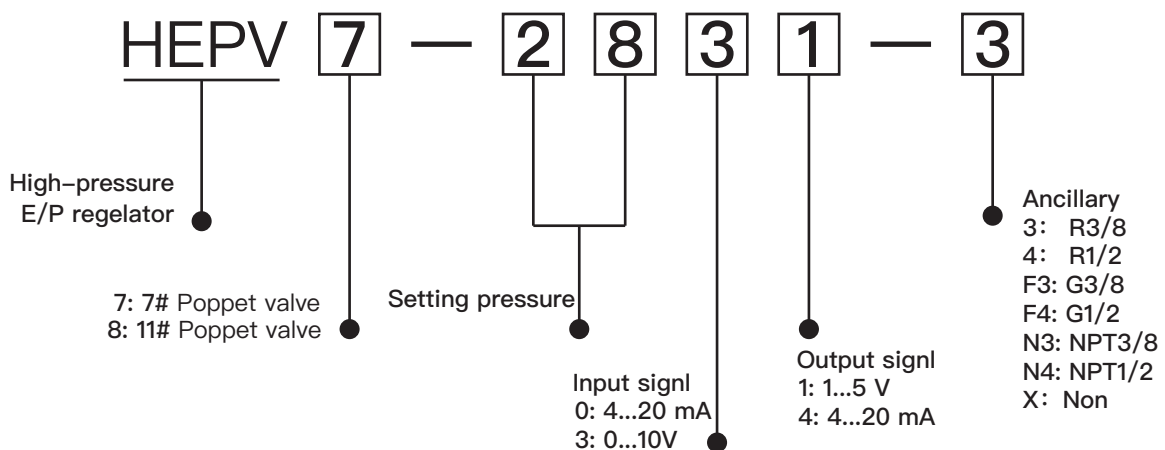
HEPV Series

- Signal / power separation
- M12 Shielded conductor
- 1 kPa resolution
- Fast stable



Version	Poppet valve
Mounting orientation	$\alpha = 0 \dots 90^\circ \pm \beta = 0 \dots 90^\circ$
Certificates	CE declaration of conformity
Working pressure max	30 bar
Working pressure min	0.5 bar + required secondary pressure
Ambient temperature min./max.	5 ... 50 °C
Medium	Compressed air
Max. particle size	50 μm
Oil content of compressed air	0 ... 1 mg/m ³
Precision	0.1 % F.S.
Division	1 kPa
Nominal flow Qn	1300 l/min *Input 7bar,output 6bar
Control	Analog
DC operating voltage	24 V
Voltage tolerance DC	-20% / +30%
Permissible ripple	5%
Max. power consumption	1400 mA
Protection class	IP65

Ordering code



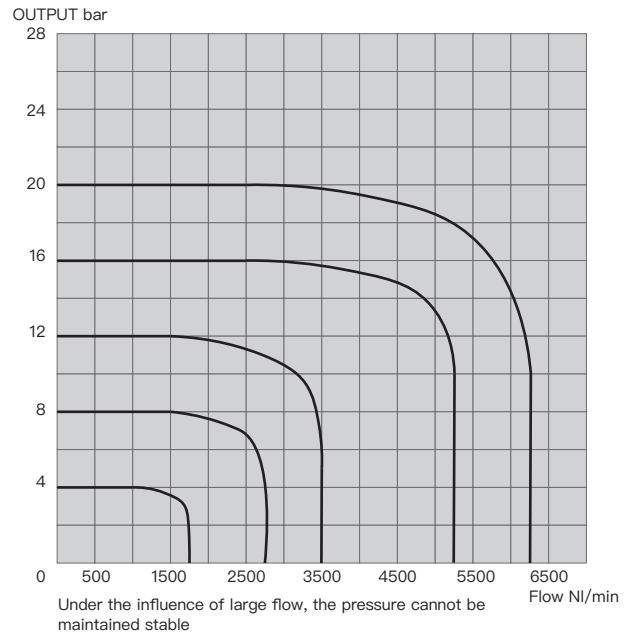
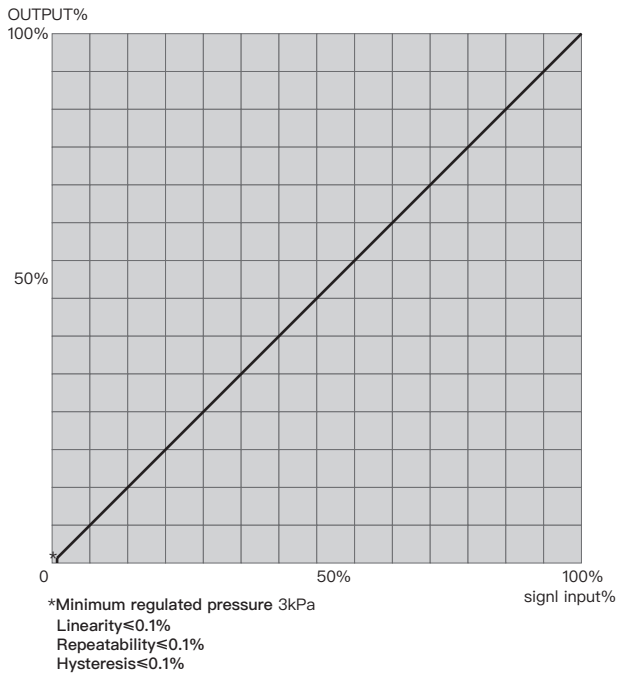
Example

Ordering code	Ancillary	Setting pressure	Input signl	Output signl
HEPV7-2831-3	R3/8	0...28 bar	0...10 V	1...5 V
HEPV7-2804-F4	G1/2	0...28 bar	4...20 mA	4...20 mA
HEPV11-2804-X	non	0...28 bar	4...20 mA	4...20 mA

E/P Pressure regelator

HEPV Series

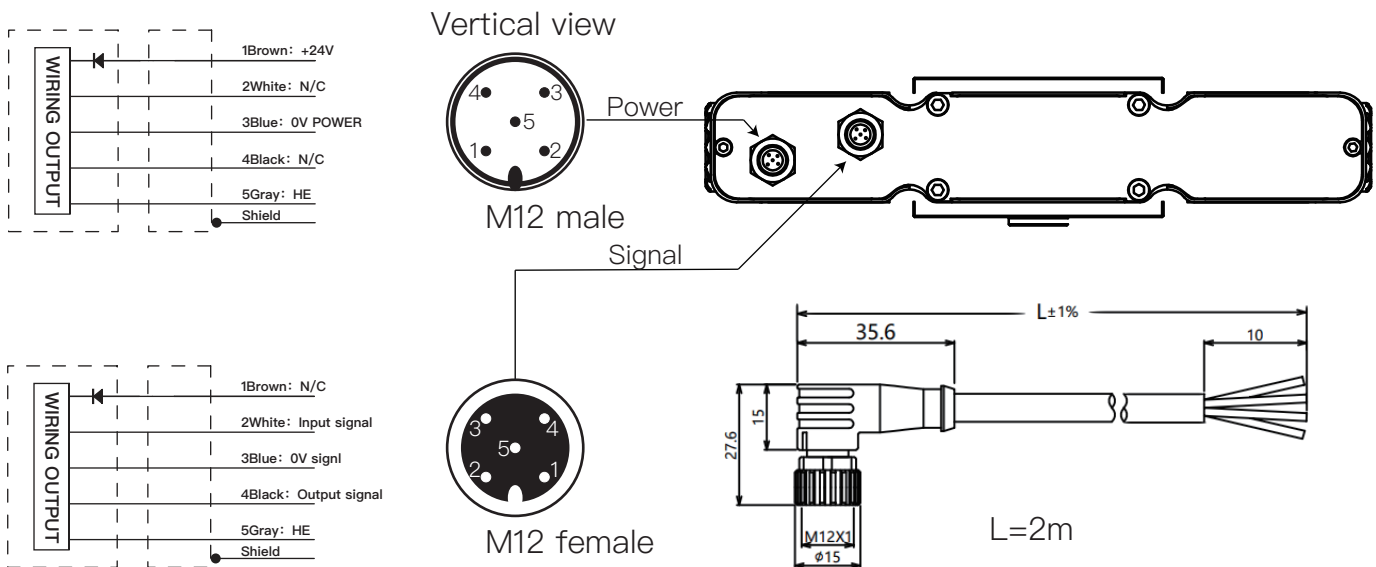
Characteristic curve



Technical information

The min. control pressure must be adhered to, since otherwise faulty switching and valve failure may result!
The pressure dew point must be at least 15 °C under ambient and medium temperature and may not exceed 3 °C .
The oil content of compressed air must remain constant during the life cycle.
With oil-free, dry air, other installation positions are possible on request.
The protection class is only ensured when the plug is mounted properly. For detailed information, see operating instructions.

Circuit diagram

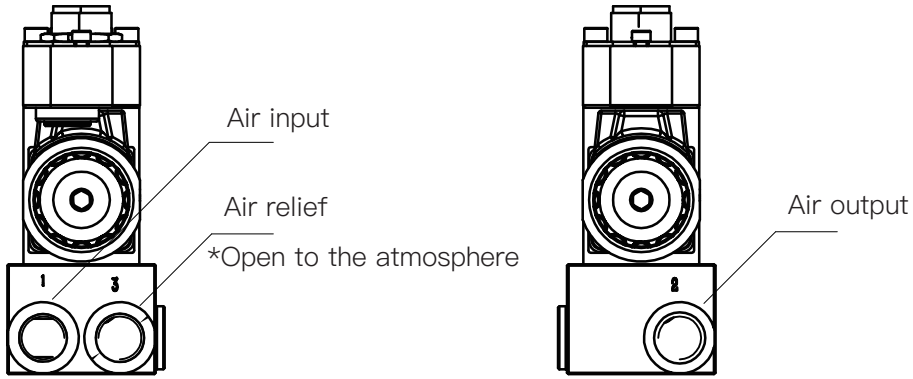


jacket material	jacket color	wire cable	cable jacket
PVC	black	22AWG	6.25 \pm 0.15mm

E/P Pressure regelator

HEPV Series

Air connection diagram



Mounting dimensions(unit mm)

