

Product overview

Pneumatic three-way flange ball valve is a three-channel swing-type ball valve used for media diversion, confluence and flow direction switching. Any pipeline can be used as an inlet or outlet. Pneumatic three-way flange ball valves are divided into two types: pneumatic three-way flange L-type ball valve and pneumatic three-way flange T-type ball valve, which can meet different production process requirements.



Actuator technical parameters

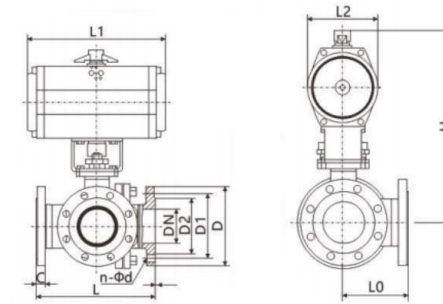
Actuator model	
Gas supply pressure	0.4-0.7MPa
Air source interface	G1/4", G1/8", G3/8", G1/2"
Ambient temperature	-30~70°C
Action form	Single-acting actuator: air-to-close (B) - valve position open when air is lost (FO); air-to-open (K) - valve position closed when air is lost (FC) Double-acting actuator: air-to-close (B) - valve position is maintained when air is lost (FL); air-to-open (K) - valve position is maintained when air is lost (FL)
Available accessories	Positioner, solenoid valve, air filter pressure reducer, position-holding valve, travel switch, valve position transmitter, handwheel mechanism, etc.

Main technical parameters and performance

Nominal diameter(mm)	15	20	25	32	40	50	65	80	100	125	150	200
Allowable pressure difference (MPa)	≤ Nominal pressure											
Range of motion	0~90°											
Valve body type	Segmented cast valve body											
Bonnet type	Integral											
Gland type	Bolt-on type											
Sealing packing	V-type PTFE packing, PTFE impregnated asbestos packing, asbestos textile packing, graphite packing											
Connection	Flange type, threaded type (applicable to 1/2"-2")											
Valve core type	Three-way ball valve core											
Flow characteristics	Approximate fast-opening characteristics											
Leakage Q	Soft seal: zero leakage; Metal seal: according to GB/T4213-92, less than rated KV0.01%											
Basic error	± 1%											
Return difference	± 1%											
Dead zone	≤ 1%											
Configure actuator model	GT, AT, series single and double acting pneumatic actuators											
Control method	Switch two-position control, 4-20mA analog control											

Main parts materials

Part name	Material name			
Valve body	WCB	304(CF8)	316(CF8M)	316L(CF3M)
Sphere	2Cr13+Nitriding treatment	304	316	316L
Valve stem	2Cr13	304	316	316L
Sealing ring	Polytetrafluoroethylene (PTFE), reinforced polytetrafluoroethylene (PPL), para-polyphenylene, flexible graphite			
Applicable media	Water, gas, steam, oil, etc.	Corrosive media such as nitric acid	Corrosive media such as acetic acid	Urea and other corrosive media

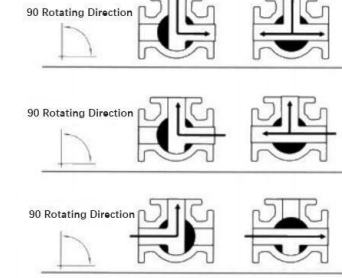
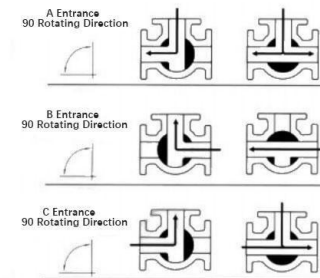


Installation connection dimensions

Nominal diameter(mm)	15	20	25	32	40	50	65	80	100	125	150	200
L	150	150	180	200	220	240	260	280	320	380	440	550
L1	75	75	90	100	110	120	130	140	160	190	220	275
H	185	191	193	212	217	260	293	323	382	468	510	655
L0	72	80	90	100	110	120	130	140	160	190	220	260
PN1.6MPa Flange size												
D	95	105	115	140	150	165	185	200	220	250	285	340
D1	65	75	85	100	110	125	145	160	180	210	240	295
D2	46	56	65	76	84	99	118	132	156	184	211	266
N-φd	4-14	4-14	4-14	4-18	4-18	4-18	4-18	8-18	8-18	8-18	8-22	12-22

Control method

T-shaped Passage



L-shaped Passage

