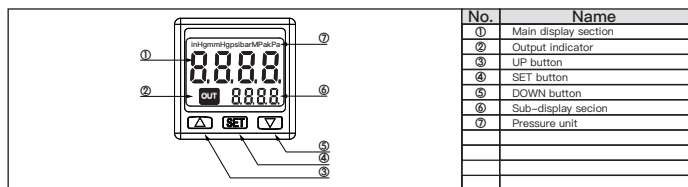


Digital pressure switch

DPS-6 series

Panel



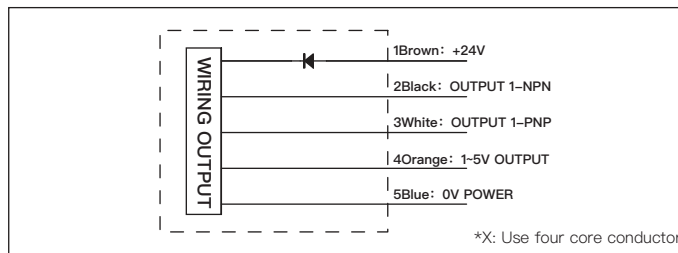
Specification

Modle		DPS-601 Compound	DPS-610 positive
pressure measure	Range of measure	-100KPa~+100KPa	-100KPa~+1000KPa
	Range of setting	-100KPa~+100KPa	-100KPa~+1000KPa
	Withstand pressure	500kPa	1500KPa
	Pressure type	Non-flammable, non-corrosive gas, gauge pressure measurement	
	Measure accuracy	±2%F.S (Ambient temperature 25°C)	
	Temperature error	±3%F.S (Ambient temperature 0-50°C)	
	Measure pattern	Easy mode Hysteresis mode Compar mode of upper and lower bounds	
Port size		Internal thread M5	
Voltage range		12-24VDC ±10%	
Power consumption		40mA max(non-load)	
Output signal	Transistor output	NPN/PNP open-collector output Output current : 80mA MAX	
	Response time	Adjustable: MIN. 2.5mS	
	analog output	Voltage output Singal amplitude:1 -5V Load resistance: ≥1KΩ	
Environmental resistance	IP level	IP40	
	Ambient temperature	Operating temperature 0 -50°C, storage temperature -20 -60°	
	Ambient humidity	Operating humidity 35-80%RH	
	Insulation voltage	1000VAC	
	Insulation resistance	≥50MΩ, 500VDC	
	Shok	Max 100m/S ² , 3 times each in6 directions of X, Y and Z	
Vibration	Amplitude1.5mm, 10Hz-500Hz, 2 hours each direction of X.Y and Z		

Digital pressure switch

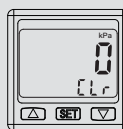
DPS-6 series

Output circuit wiring diagrams



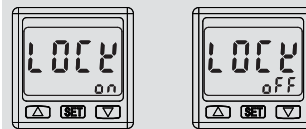
Quick setting

● Zero point setting



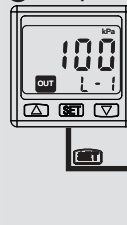
In the measure mode, press **▲**+**SET** button at the same time, until display "0", release the button

● Key lock and unlock

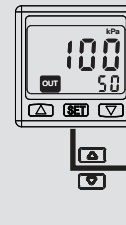


Lock: in measure mode, press **▲****SET****▼** until "LOCK ON" shown;
Unlock: press **▲****SET****▼** until "LOCK OFF" shown;

● Easy setting function



In the measure mode, press **SET** button to enter easy setting mode,

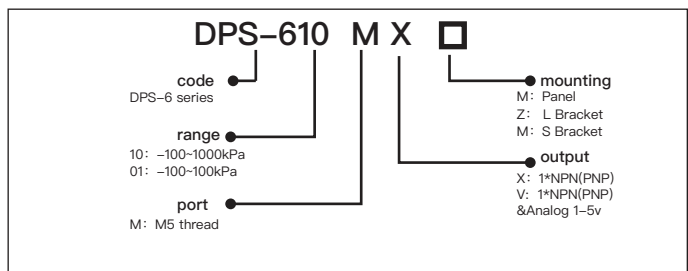


In the measure mode, press **▲** or **▼** button to adjust the value

Digital pressure switch

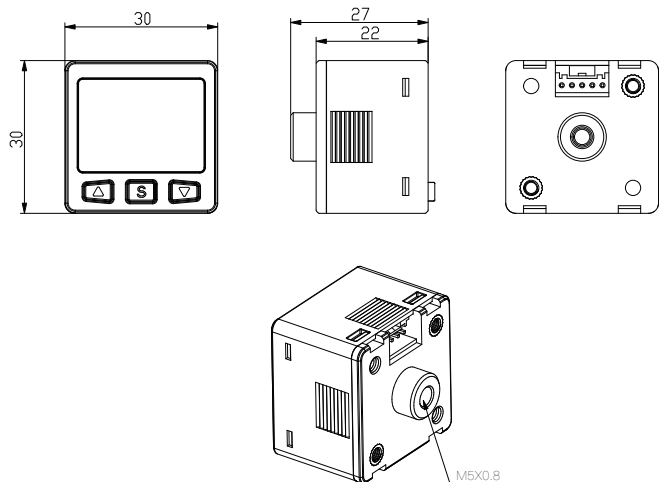
DPS-6 series

Ordering code



Mounting dimensions(unit mm)

● Overall dimensions & connection port

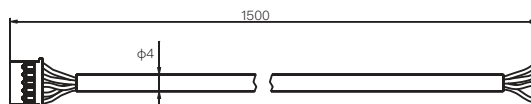


Digital pressure switch

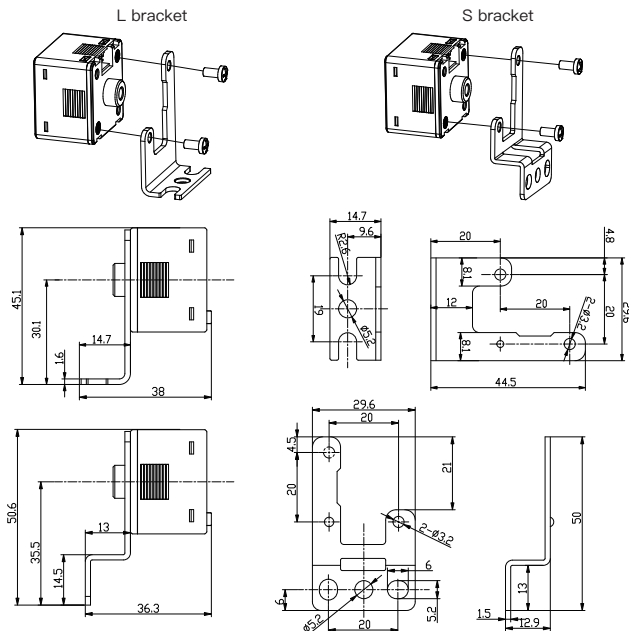
DPS-6 series

Mounting dimensions(unit mm)

● Wire dimensions



● Mounting bracket

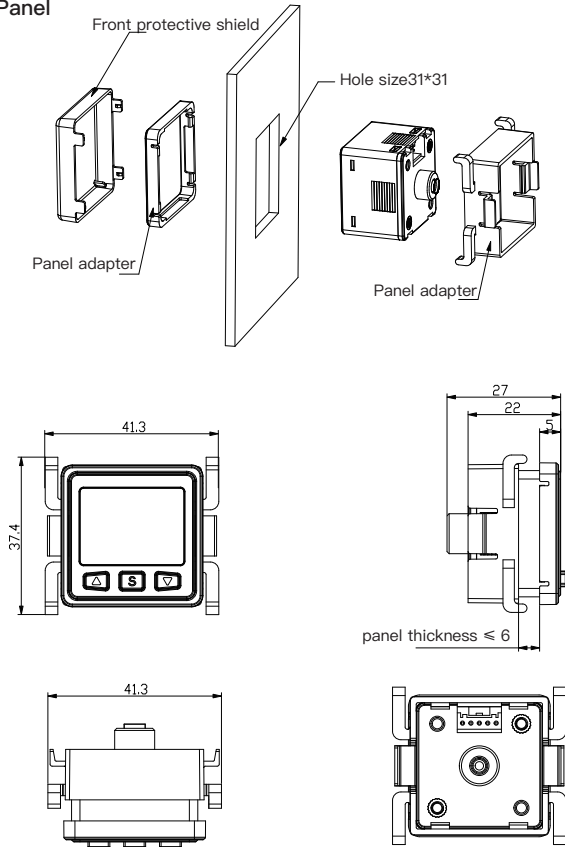


Digital pressure switch

DPS-6 series

Mounting dimensions(unit mm)

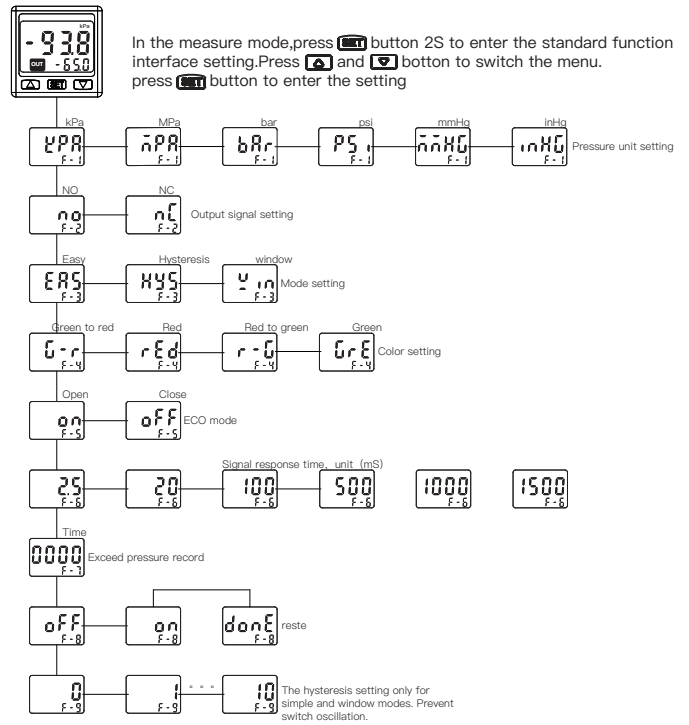
● Panel



Digital pressure switch

DPS-6 series

Operation instruction (Standard Setting)



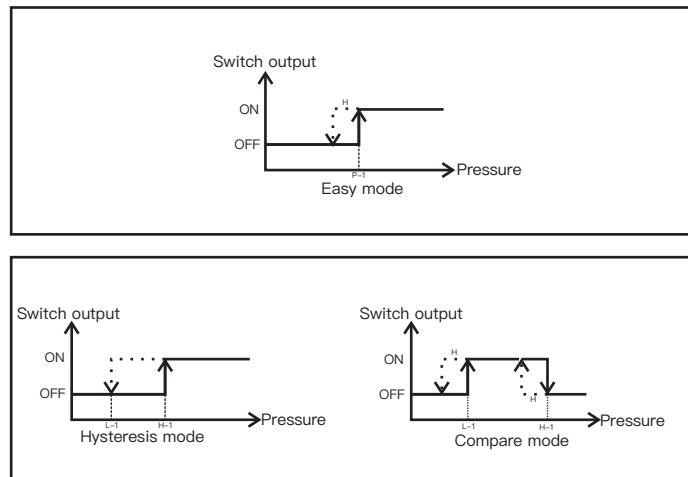
Digital pressure switch

DPS-6 series

Error code description

Error Code	Problem	Solution
Err 1	Exceed zero point reset range	zero pint reset range :10%F.S. Don't over value setting.
Err 4	Incorrect pressure setting	L-1<H-1
Err 5	Storage data error	chip error need maintain.
HHHH	Exceed pressure measure	adjust the pressure to the range

Output function diagram



Digital pressure switch

DPS-6 series

Pressure unit conversion table

from	to	Pa	kPa	MPa	kgf/cm ²	mmHg	psi	bar	inHg
1Pa	1	0.001	0.000001						
1kPa	1000	1	0.001	0.010197	7.500616	0.145038	0.01	0.2953	
1MPa	1000000	1000	1	10.197	7500.616	145.038	10	295.2998	
1kgf/cm ²	98066.5	98.0665	0.098	1	735.559	14.2233	0.980665	28.95979	
1mmHg	133.32	0.13332	0.00013	0.001359	1	0.019336	0.001333	0.03973	
1psi	6895	6.895	0.006895	0.07031	51.7157	1	0.06895	2.036074	
1bar	100000	100	0.1	1.01972	750.062	14.5038	1	29.5298	
1inHg	3386.338	3.386338	0.003386	0.03453	25.4	0.491141	0.033863	1	

⚠ Caution

- 1 Only used for air pressure measurement, do not use corrosive or flammable gas.
- 2 Avoid to be used in high temperature and high humidity.
- 3 Before installation or removal, please make sure pressure source has been stopped, the output wire is disconnected with controller, to ensure safety.
- 4 When installation please use the part that meet the pressure connection port and sealing is good, to avoid measure error or gas leakage and other issues.
- 5 Before connecting to the power, make sure the wiring is correct, higher voltage input will damage the pressure switch.