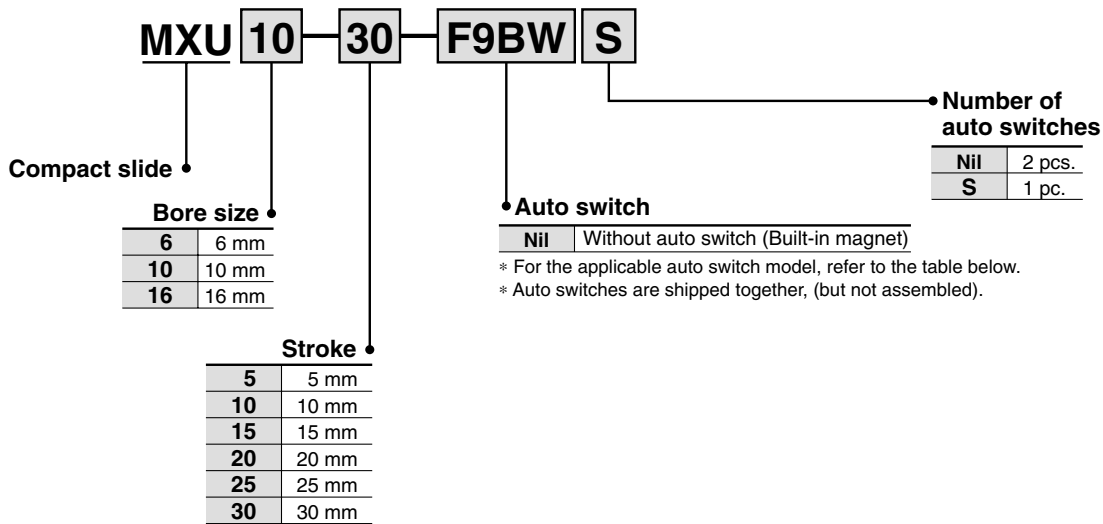




Compact Slide Series *MXU* ø6, ø10, ø16

How to Order



Applicable Auto Switch

Type	Special function	Electrical entry	Indicator/light	Wiring (Output)	Load voltage			Auto switch model		Lead wire length (m)			Pre-wire connector	Applicable load	
					DC	AC		Perpendicular	In-line	0.5 (Nil)	3 (L)	5 (Z)			
Reed switch	—	Grommet	Yes	3-wire (NPN equivalent)	—	5 V	—	A96V	A96	●	●	—	—	IC circuit	—
				2-wire	24 V	12 V	100 V	A93V	A93	●	●	—	—	—	Relay, PLC
Solid state switch	Diagnostic indication (2-color indication)	Grommet	Yes	3-wire (NPN)	24 V	5 V, 12 V	—	M9NV	M9N	●	●	○	○	Relay, PLC	
				3-wire (PNP)				M9PV	M9P	●	●	○	○		
				2-wire				M9BV	M9B	●	●	○	○		
				3-wire (NPN)				F9NVV	F9NV	●	●	○	○		
				3-wire (PNP)				F9PVV	F9PW	●	●	○	○		
				2-wire				F9BVV	F9BW	●	●	○	○		



Compact Slide Series MXU



Specifications

Bore size (mm)	6	10	16
Fluid	Air		
Action	Double acting		
Piping port size	M5 x 0.8		
Maximum operating pressure	0.7 MPa		
Proof pressure	1.05 MPa		
Ambient & fluid temperature	Without auto switch: -10 to 70°C (No freezing) With auto switch: -10 to 60°C (No freezing)		
Piston speed	50 to 500 mm/s		
Lubrication	Non-lube		
Cushion	Rubber bumper on both ends		
Stroke length tolerance	+1.0 0		
Auto switch (Option)	Reed switch Solid state switch (2-wire, 3-wire)		

Minimum Operating Pressure

(MPa)

Bore size (mm)	6	10	16
Min. operating pressure (MPa)	0.12	0.06	0.06

Theoretical Output

(N)

Bore size (mm)	Operating direction	Operating pressure (MPa)		
		0.3	0.5	0.7
6	IN	6	11	15
	OUT	8	14	20
10	IN	20	33	46
	OUT	24	39	55
16	IN	52	86	121
	OUT	60	101	141

Standard Stroke

Bore size (mm)	Standard stroke (mm)
6, 10, 16	5, 10, 15, 20, 25, 30

*

Weight

(g)

Model	Cylinder stroke (mm)					
	5	10	15	20	25	30
MXU6	66	72	81	88	97	103
MXU10	115	124	138	147	166	174
MXU16	216	215	251	250	285	300

Maximum Load Weight

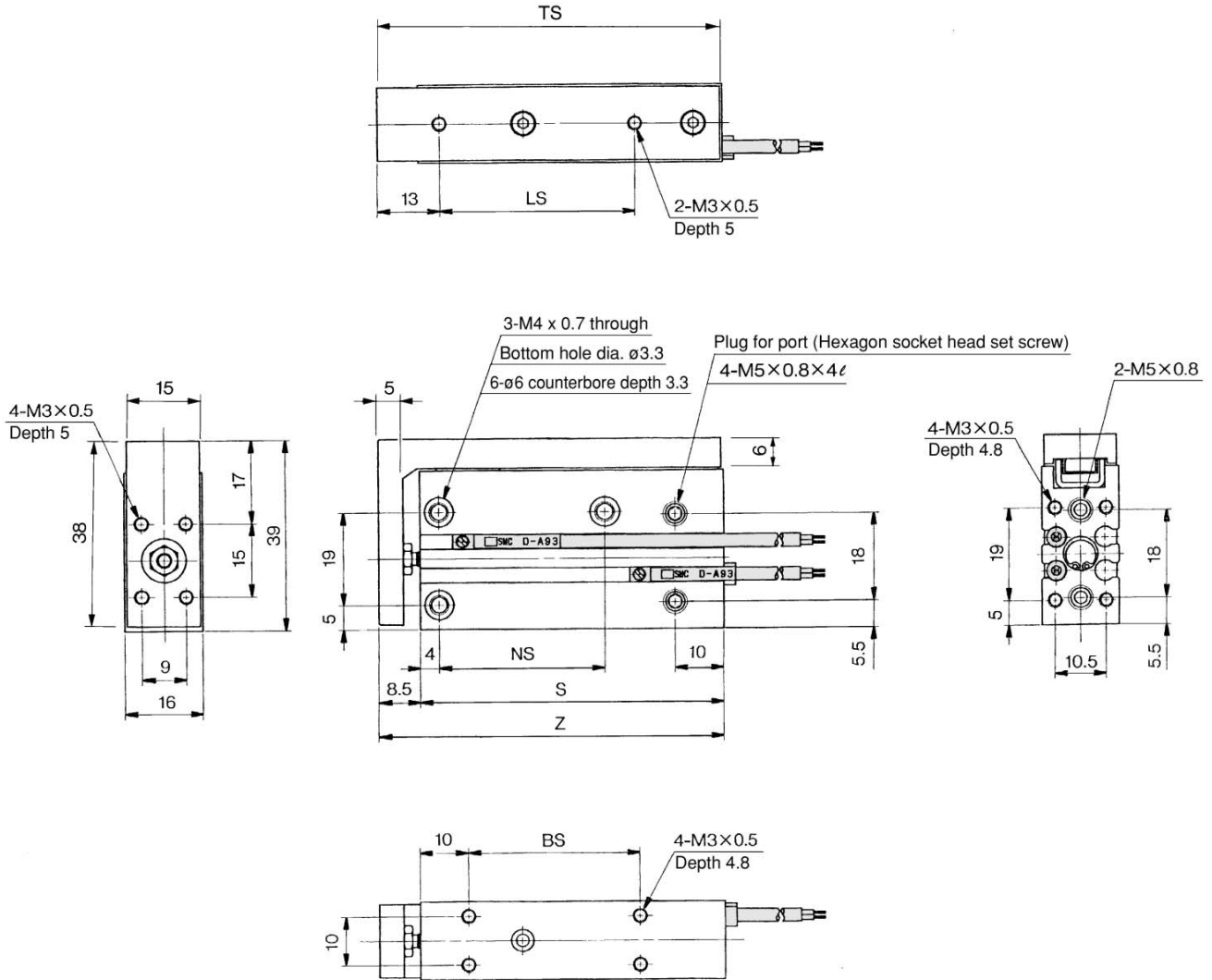
(g)

Model	Maximum load weight
MXU6	100
MXU10	200
MXU16	400



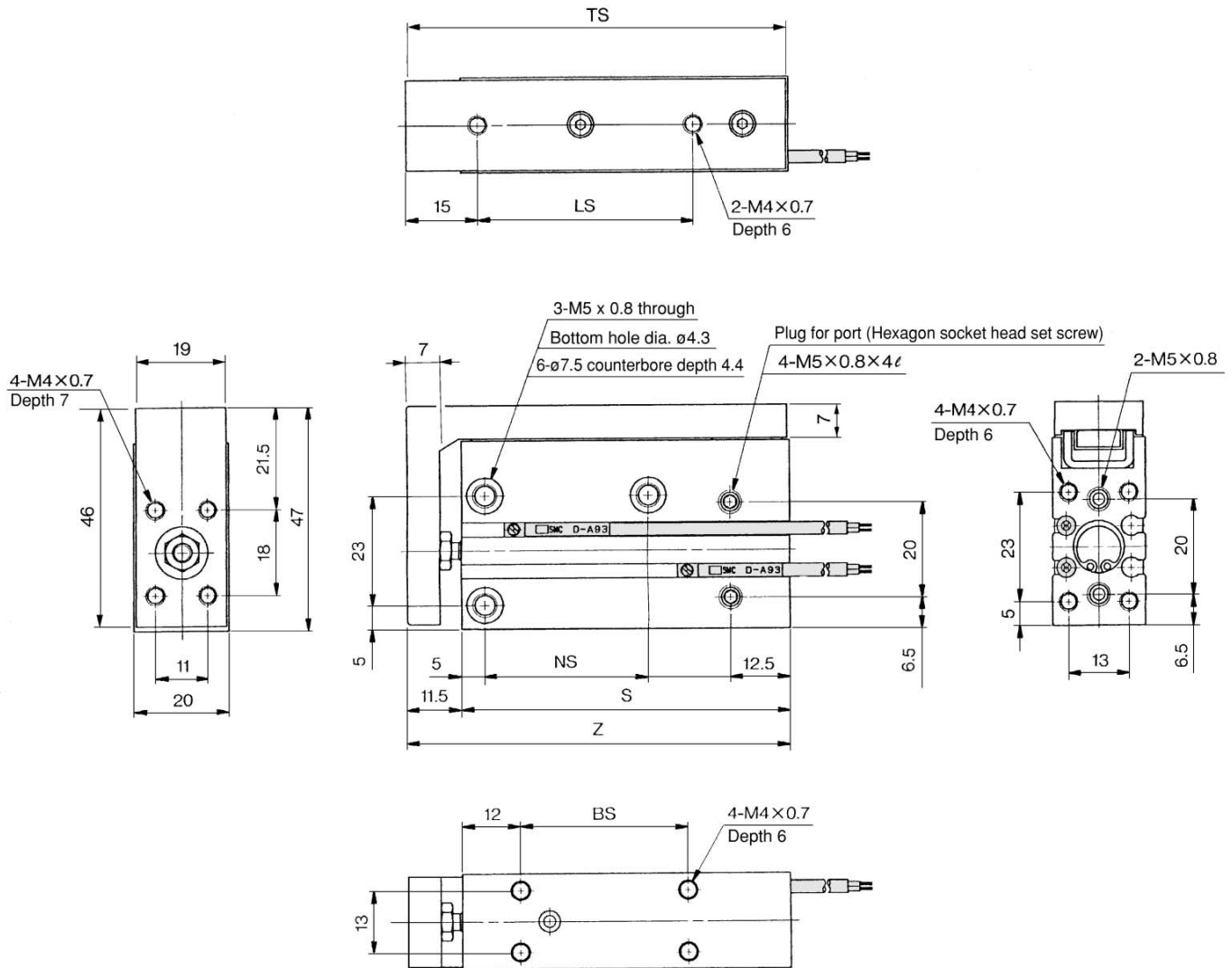
Dimensions: MXU6

Series MXU



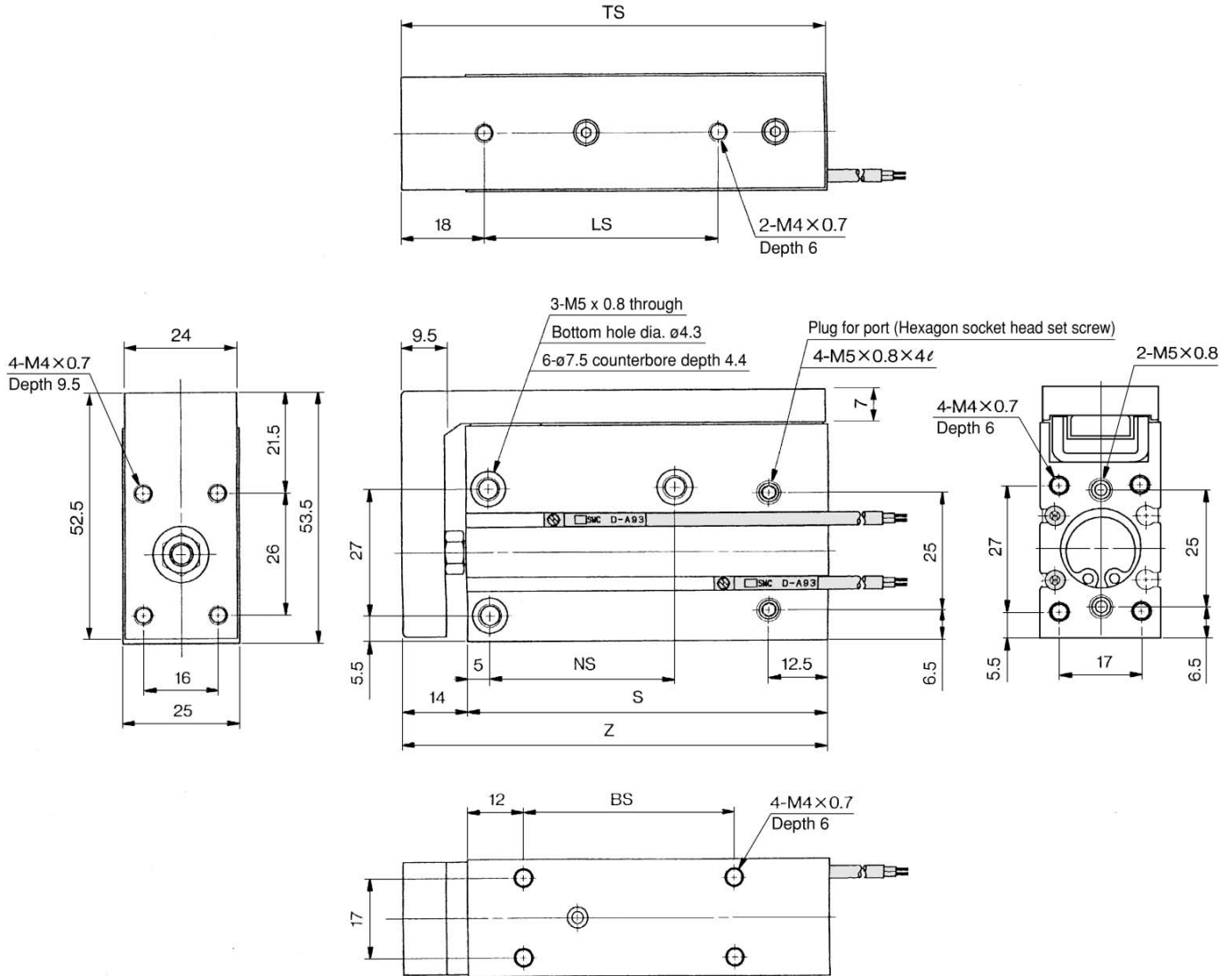
(mm)

Stroke (mm)	BS	LS	NS	S	Z	TS
5	10	20	14	37.5	46	45.5
10	15	20	14	42.5	51	50.5
15	20	25	24	47.5	56	55.5
20	25	30	24	52.5	61	60.5
25	30	40	34	57.5	66	65.5
30	35	40	34	62.5	71	70.5

Dimensions: MXU10
Compact Slide Series MXU


(mm)

Stroke (mm)	BS	LS	NS	S	Z	TS
5	10	14	14	41.5	53	52.5
10	14	19	14	46.5	58	57.5
15	18	25	24	51.5	63	62.5
20	24	30	24	56.5	68	67.5
25	32	40	34	64.5	76	75.5
30	35	45	34	68.5	80	79.5



(mm)

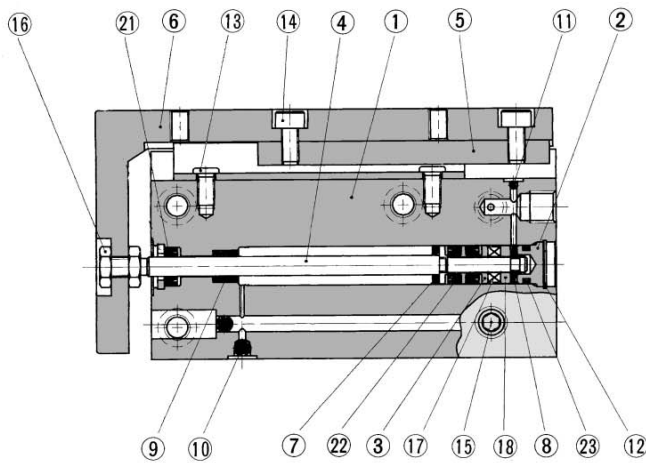
Stroke (mm)	BS	LS	NS	S	Z	TS
5	20	24	24	52	66	65.5
10	20	24	24	52	66	65.5
15	30	35	34	62	76	75.5
20	30	35	34	62	76	75.5
25	40	45	40	72	86	85.5
30	45	50	40	77	91	90.5



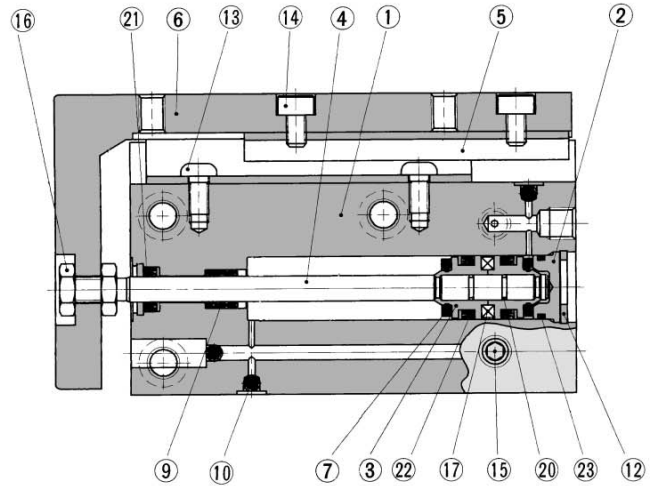
Construction

Compact Slide Series MXU

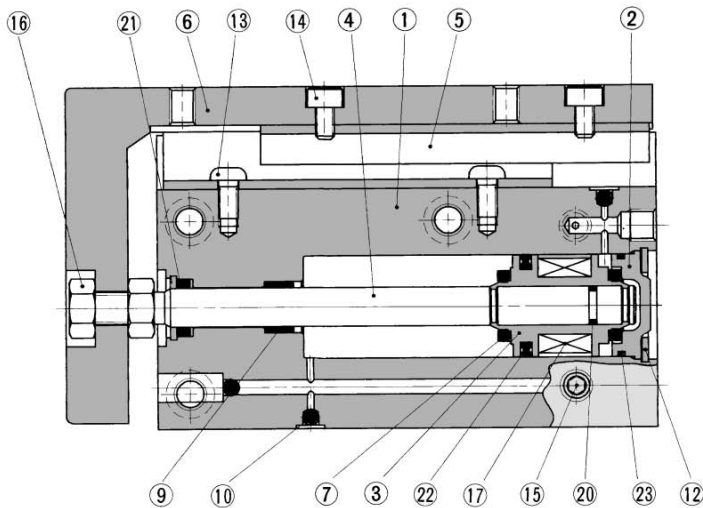
MXU6 (ø6)



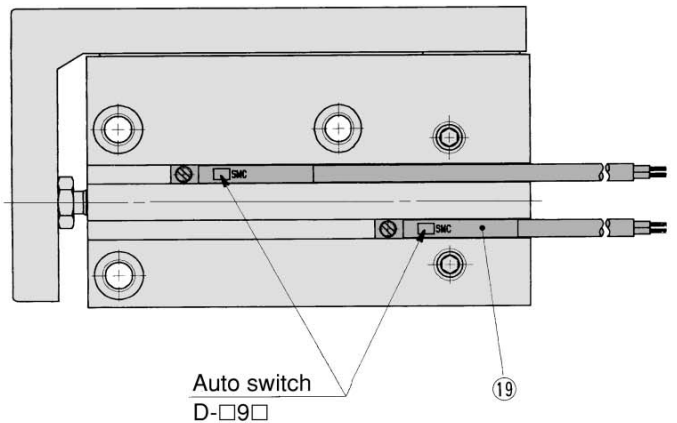
MXU10 (ø10)



MXU16 (ø16)



With auto switch



Component Parts

No.	Description	Material	Note
①	Cylinder tube	Aluminum alloy	Hard anodized
②	Head cover	Brass	ø6, ø10 Electroless nickel plated
		Aluminum alloy	ø16 Clear chromated
③	Piston	Brass	ø6, ø10
		Aluminum alloy	ø16
④	Piston rod	Stainless steel	
⑤	Miniature linear guide	—	
⑥	Table	Aluminum alloy	Hard anodized
⑦	Bumper A	Urethane	
⑧	Bumper B	Urethane	
⑨	Bushing	Oil-impregnated sintered alloy	Oil impregnated
⑩	Steel ball A	High carbon chrome bearing steel	
⑪	Steel ball B	High carbon chrome bearing steel	
⑫	Type C snap ring for hole	Carbon tool steel	Phosphate coated
⑬	Round head Phillips screw	Carbon steel	

No.	Description	Material	Note
⑭	Hexagon socket head cap screw	Chromium molybdenum steel	Nickel plated
⑮	Hexagon socket head plug	Chromium molybdenum steel	Nickel plated
⑯	Rod end nut	Carbon steel	Nickel plated
⑰	Magnet	Magnetic material	ø6, ø10 Nickel plated
		Synthetic rubber	ø16
⑱	Magnet holder	Brass	
⑲	Auto switch	—	D-□9□
⑳	Piston gasket	NBR	
㉑	Rod seal	NBR	
㉒	Piston seal	NBR	
㉓	Gasket	NBR	