



HANUMAN

Full set of air compression station

High pressure hose



Air compressor



Air tank

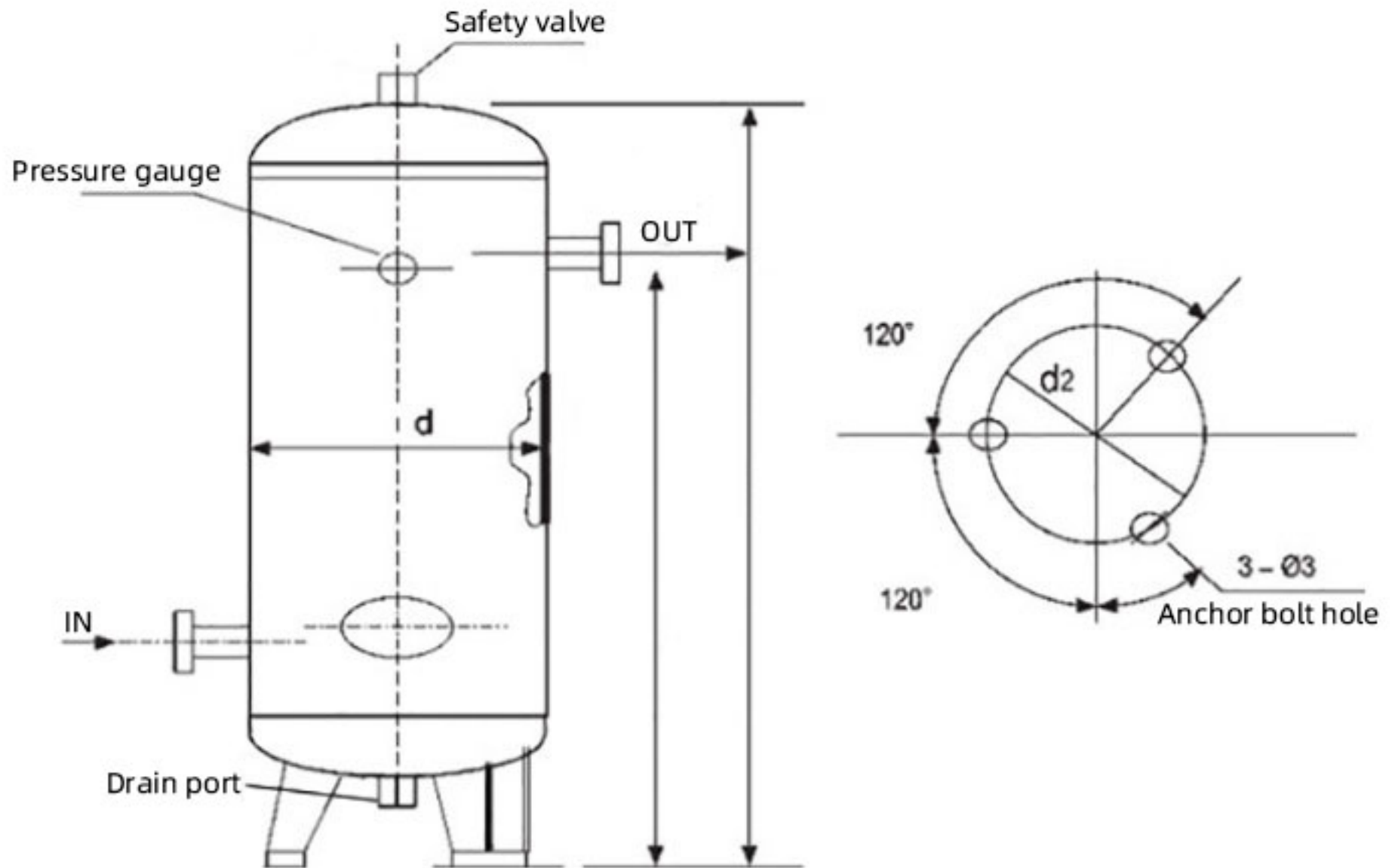


Precision filters

Refrigerated air dryer



Skematic diagram





Model	0.3m ³		
Capacity	300L		
Design temperature	150°C		
Working pressure	8 bar	10 bar	13 bar
Body thickness	3.5mm	4mm	5mm
Material	Q235B		
Overall height	1.55m		
DN	550mm		
Weight	80 kg	90 kg	110 kg
IN-OUT port size	DN25 (1")		
Accessories	Safety valve, pressure gauge, drain valve, certificate		



Model	0.6m ³		
Capacity	600L		
Design temperature	150°C		
Working pressure	8 bar	10 bar	13 bar
Body thickness	4.25mm	5mm	6.25mm
Material	Q235B		
Overall height	2.1m		
DN	650mm		
Weight	150 kg	175 kg	225 kg
IN-OUT port size	DN40 (1-1/2")		
Accessories	Safety valve, pressure gauge, drain valve, certificate		



Model	1m ³		
Capacity	1000L		
Design temperature	150°C		
Working pressure	8 bar	10 bar	13 bar
Body thickness	4.75mm	5mm	5.5mm
Material	Q235B		Q335B
Overall height	2.2m		
DN	800mm		
Weight	220 kg	240 kg	280 kg
IN-OUT port size	DN40 (1-1/2")		
Accessories	Safety valve, pressure gauge, drain valve, certificate		



HANUMAN

Accessories



Pressure gauge



Safety valve



Drain valve



Quality certificate



Model	Design temperature	Overall height	Nominal diameter	Port size	Weight
Capacity working pressure	°C	mm	mm	DN	kg
0.3/8	150	1553	550	25	80
0.3/10	150	1554	550	25	90
0.3/13	150	1555	550	25	110
0.6/8	150	2093	650	40	150
0.6/10	150	2095	650	40	175
0.6/13	150	2097	650	40	225
1.0/8	150	2180	800	40	220
1.0/10	150	2182	800	40	240
1.0/13	150	2180	800	40	280
1.5/8	150	2310	1000	50	364
1.5/10	150	2310	1000	50	477
1.5/13	150	2310	1000	50	533
2.0/8	150	2810	1000	50	432
2.0/10	150	2820	1000	50	577
2.0/13	150	2820	1000	50	645
3.0/8	150	2948	1200	80	750
3.0/10	150	2180	1200	80	994