



VH Series



Specifications

Fluid	Air	
Proof pressure	1.5 MPa	
Max. operating pressure	VH200/300/400	1.0 MPa
	VH600	0.7 MPa
Ambient temperature and operating fluid temperature	-5 to 60°C (No freezing)	
Operating angle	90°	
Lubrication	Not required (Use turbine oil Class 1 ISO VG32, if lubricated.)	

Model

The value in brackets refers to the port size.

Series	Port size	Number of positions	Piping direction	Model		Flow rate characteristic						Weight (kg)																
				Body mount	Panel mount	1(P)→2(A)/4(B)			2(A)/4(B)→3(R)																			
						C[dm ³ /(s·bar)]	b	Cv	C[dm ³ /(s·bar)]	b	Cv																	
VH2	1/4	3 (Closed center)		VH200-02	VH210-02	1.5	0.25	0.38	1.5	0.25	0.38	0.42																
		3 (Exhaust center)		VH201-02	VH211-02																							
		2 (Position)		VH202-02	VH212-02																							
		3 (Closed center)		VH240-02	VH250-02																							
		3 (Exhaust center)		VH241-02	VH251-02																							
		2 (Position)		VH242-02	VH252-02																							
		3 (Closed center)		VH220-02	VH230-02								1.1	0.2	0.28	1.1	0.2	0.28	0.71									
		3 (Exhaust center)		VH221-02	VH231-02																							
		2 (Position)		VH222-02	VH232-02																							
VH3	1/4, 3/8	3 (Closed center)		VH300-02/03	VH310-02/03	5.4(1/4)	0.25	1.25(1/4)	5.4(1/4)	0.25	1.25(1/4)	0.71																
		3 (Exhaust center)		VH301-02/03	VH311-02/03																							
		2 (Position)		VH302-02/03	VH312-02/03																							
		3 (Closed center)		VH320-02/03	VH330-02/03															4.5(1/4)	0.2	1.1(1/4)	4.5(1/4)	0.2	1.1(1/4)	1.28		
		3 (Exhaust center)		VH321-02/03	VH331-02/03																							
		2 (Position)		VH322-02/03	VH332-02/03																							
		VH4	1/4 to 3/4	3 (Closed center)									VH400-02 to 06	VH410-02 to 06	14.3(1/4)	0.25	3.4(1/4)	14.3(1/4)	0.25								3.4(1/4)	1.28
				3 (Exhaust center)									VH401-02 to 06	VH411-02 to 06														
				2 (Position)									VH402-02 to 06	VH412-02 to 06														
3 (Closed center)				VH420-02 to 06	VH430-02 to 06	11.9(1/4)	0.2	2.9(1/4)	11.9(1/4)	0.2	2.9(1/4)	9.7																
3 (Exhaust center)				VH421-02 to 06	VH431-02 to 06																							
2 (Position)				VH422-02 to 06	VH432-02 to 06																							
VH6	3/4, 1			3 (Closed center)									VH600-06/10	—						37(3/4)	0.25	10.2(3/4)	37(3/4)	0.25	10.2(3/4)	9.7		
				3 (Exhaust center)									VH601-06/10															
				2 (Position)									VH602-06/10															



VH 2 4 1 - 02 - -

Hand valve •

Body size (Base size) •

2	1/4 base
3	3/8 base
4	1/2 base
6	1 base

• Made to Order

Nil	Standard
X116	Handle (Red)

• Suffix symbol

Symbol	Description	Body size			
		VH2	VH3	VH4	VH6
Nil	Standard	●	●	●	●
L	Long handle	—	●	●	—
R	Handle position 180° change	●	●	●	●

* When specifying more than one option, indicate symbols alphabetically.
* Note that 1(P) port of VH600 is located on handle side as standard.

• Port size (Nominal size)

Symbol	Port size (Nominal size)	Body size			
		VH2	VH3	VH4	VH6
02	1/4	●	●	●	—
03	3/8	—	●	●	—
04	1/2	—	—	●	—
06	3/4	—	—	●	●
10	1	—	—	—	●

• Thread type

Nil	Rc
N	NPT
F	G

• Function

0	3 position closed center
1	3 position exhaust center
2	2 position

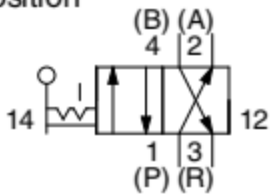
Piping/Mounting •

Symbol	Mounting method	Note) Piping			
		VH2	VH3	VH4	VH6
0	Body				
1	Panel mount				—
2	Body				—
3	Panel mount				—
4	Body		—	—	—
5	Panel mount		—	—	—

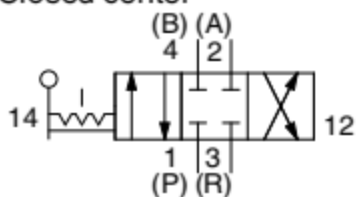
Note) For VH600, 3(R) port is located only on the bottom.

Symbol

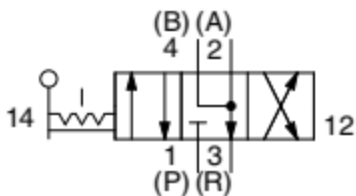
2 position



Closed center

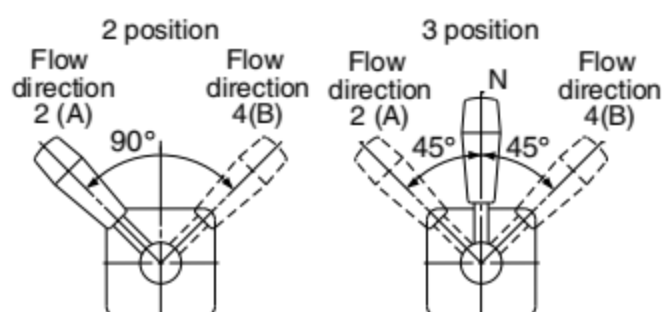


Exhaust center



Handle Operation Angle and Air Flow Direction

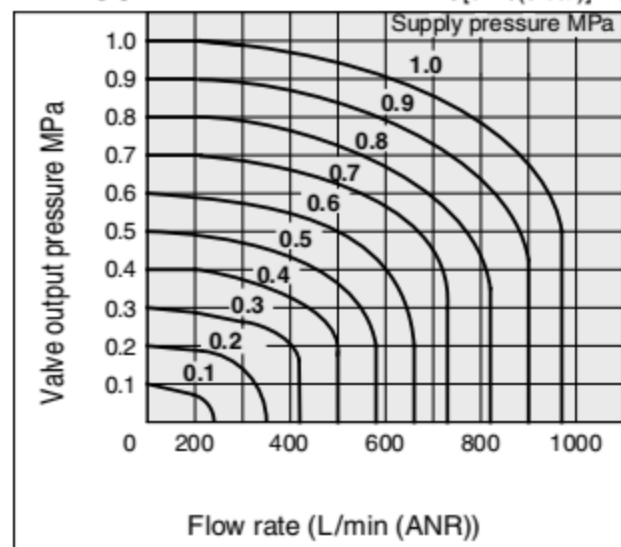
(Refer to the figures of piping direction to the right.)



Flow Rate Characteristics

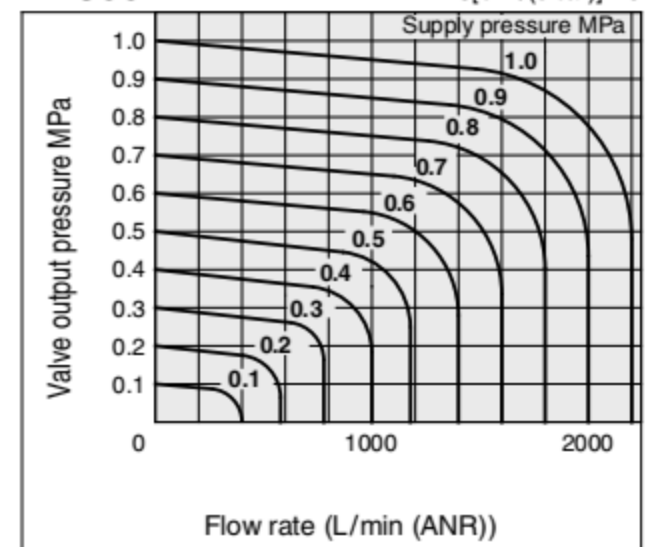
VH200

C[dm³/(s-bar)] 1.5



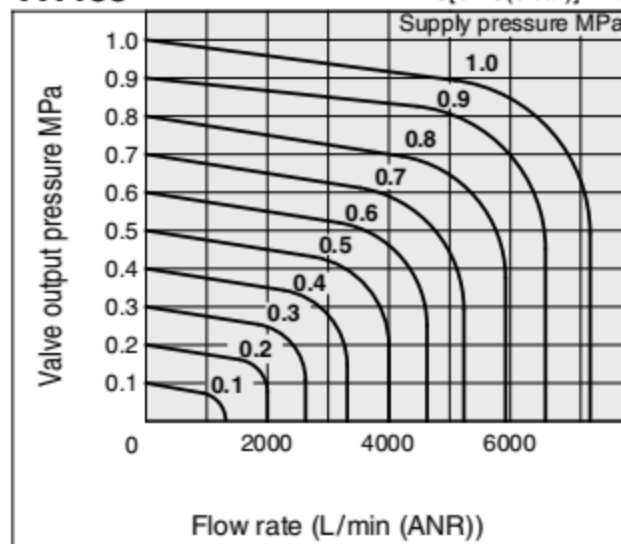
VH300

C[dm³/(s-bar)] 4.5



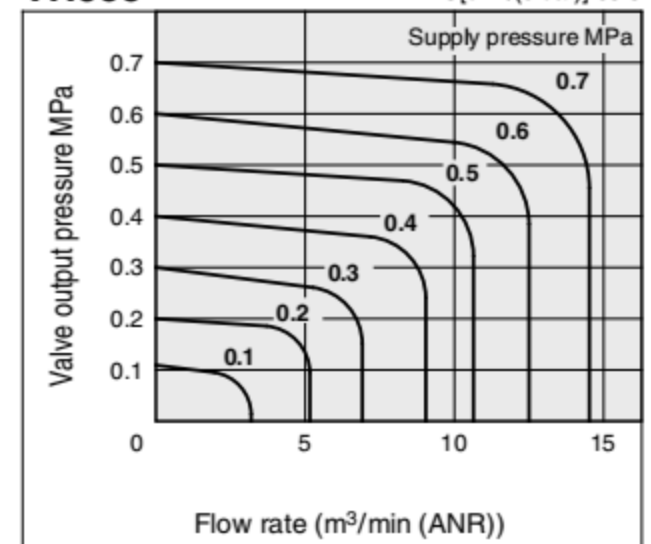
VH400

C[dm³/(s-bar)] 11.9



VH600

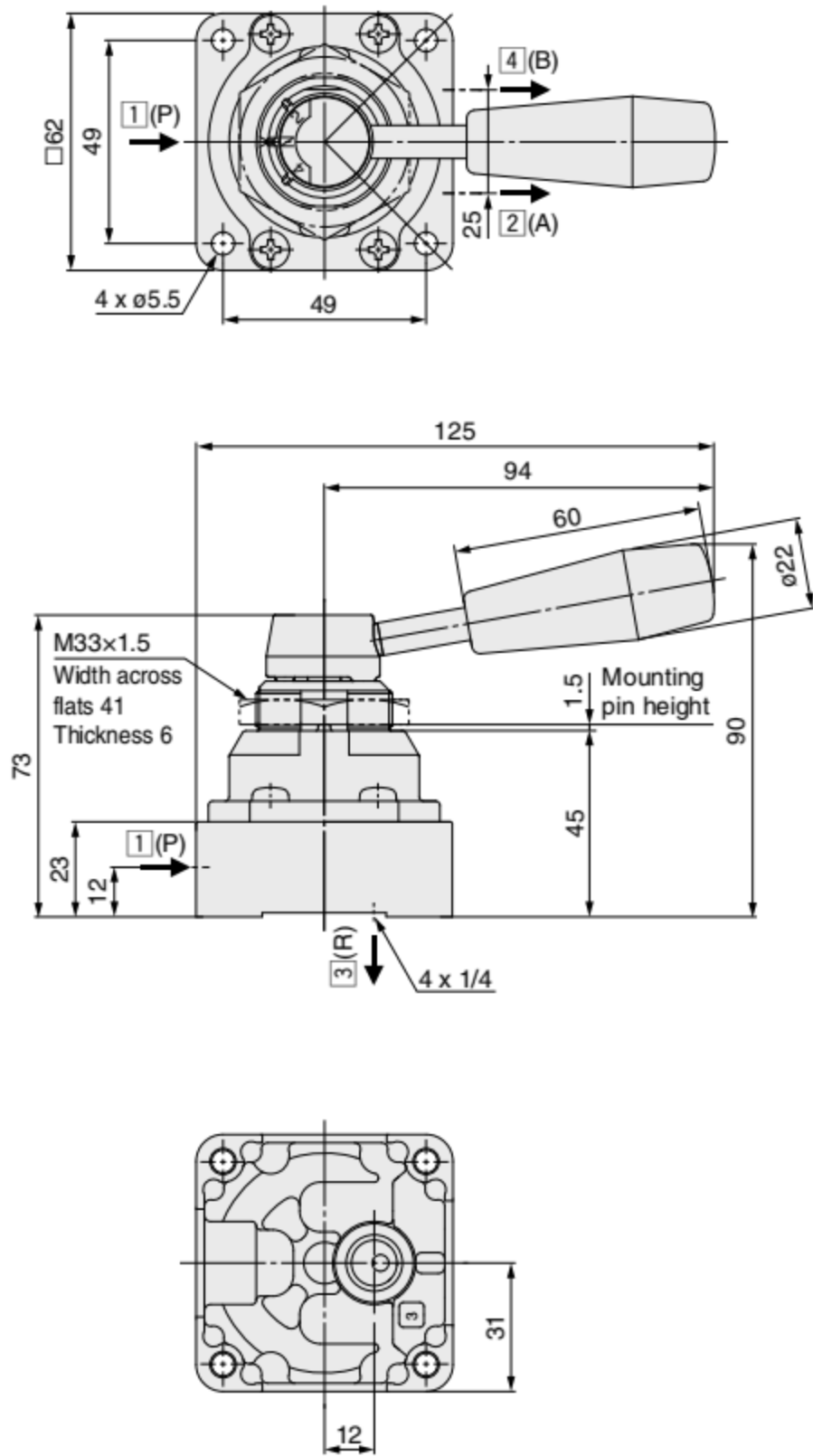
C[dm³/(s-bar)] 38.8



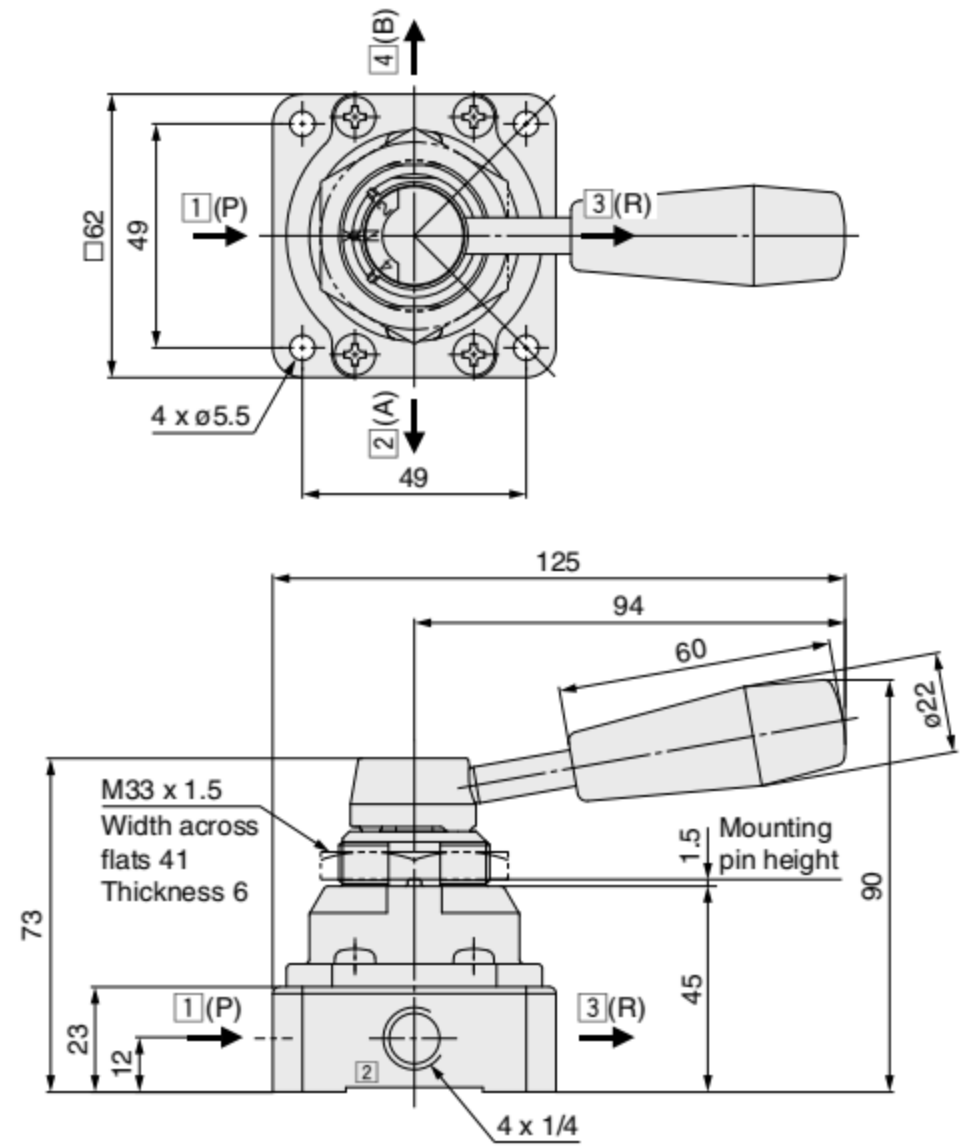


Dimensions

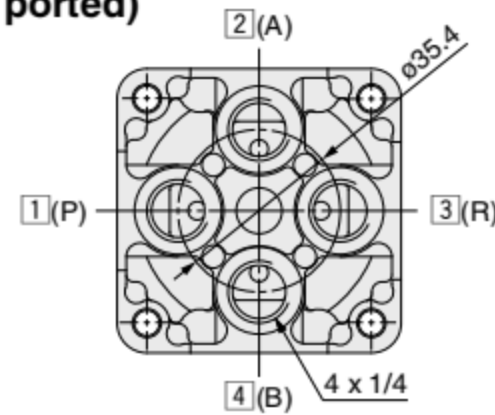
VH20□/21□-02



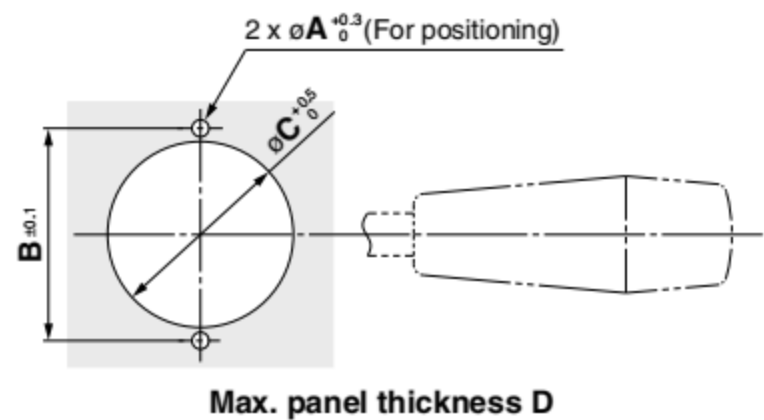
VH24□/25□-02



VH22□/23□-02 (Bottom ported)



Panel cut dimension



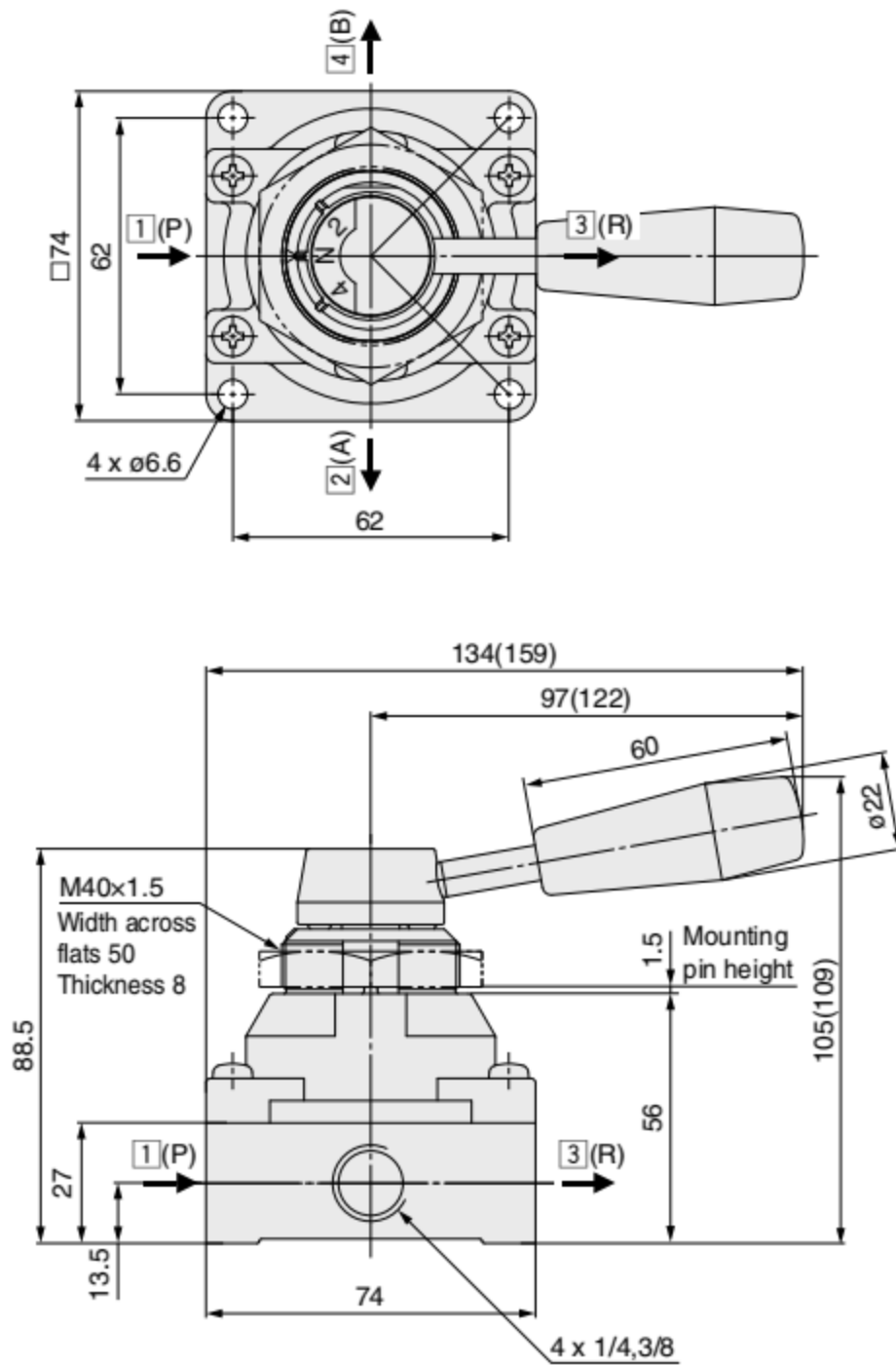
	(mm)			
	A	B	C	D
VH200	3.2	40	35	3.5
VH300	3.2	51	41	6
VH400	3.2	64	51	8



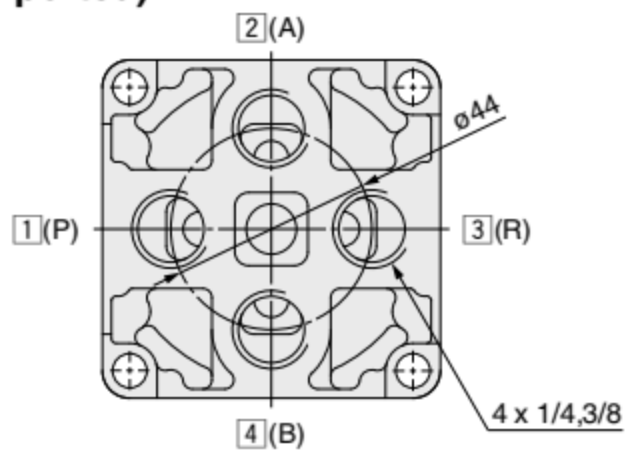
Dimensions

VH30□/31□-02 to 03

(): Long handle type



VH32□/33□-02 to 03 (Bottom ported)

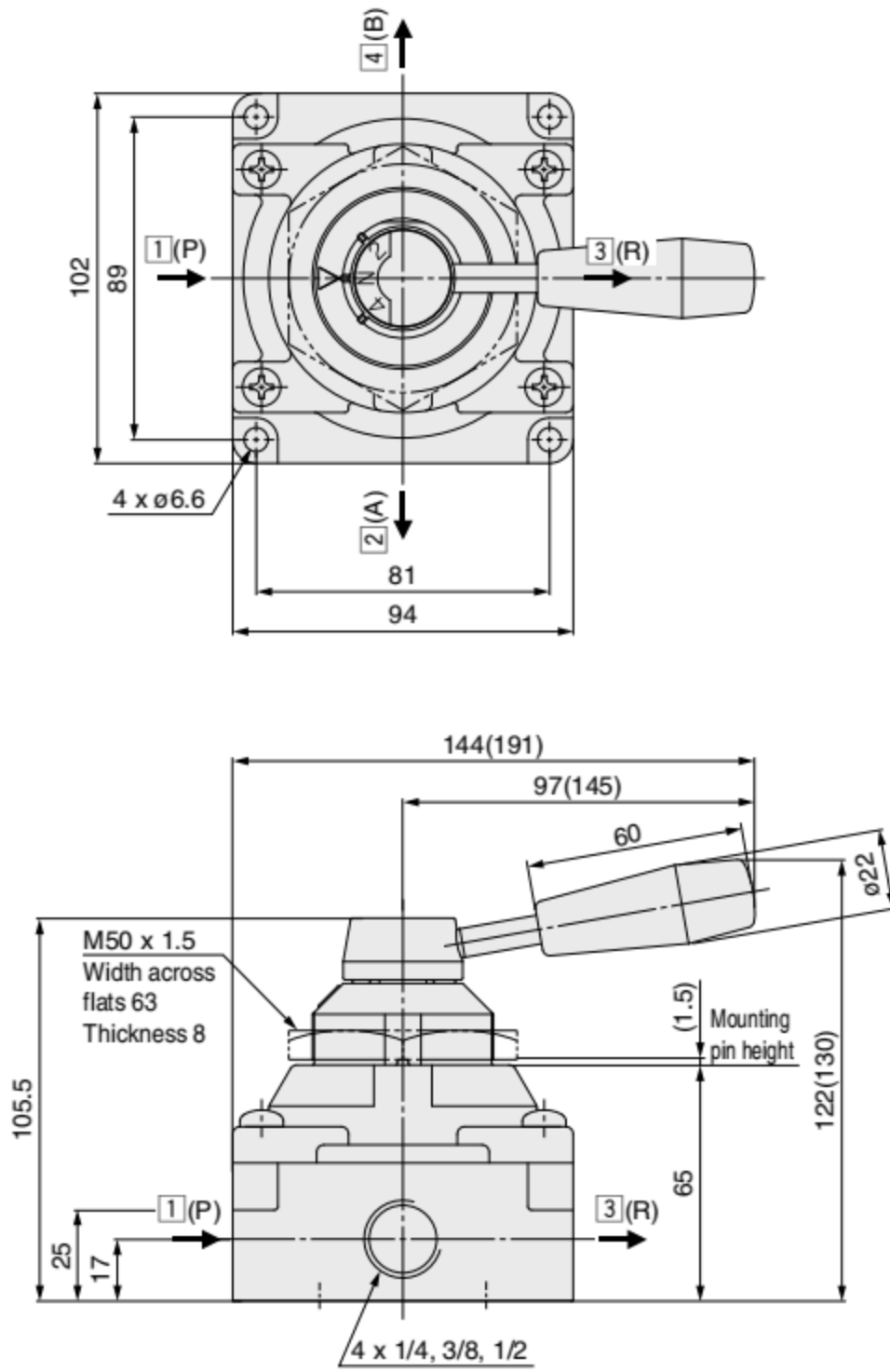




Dimensions

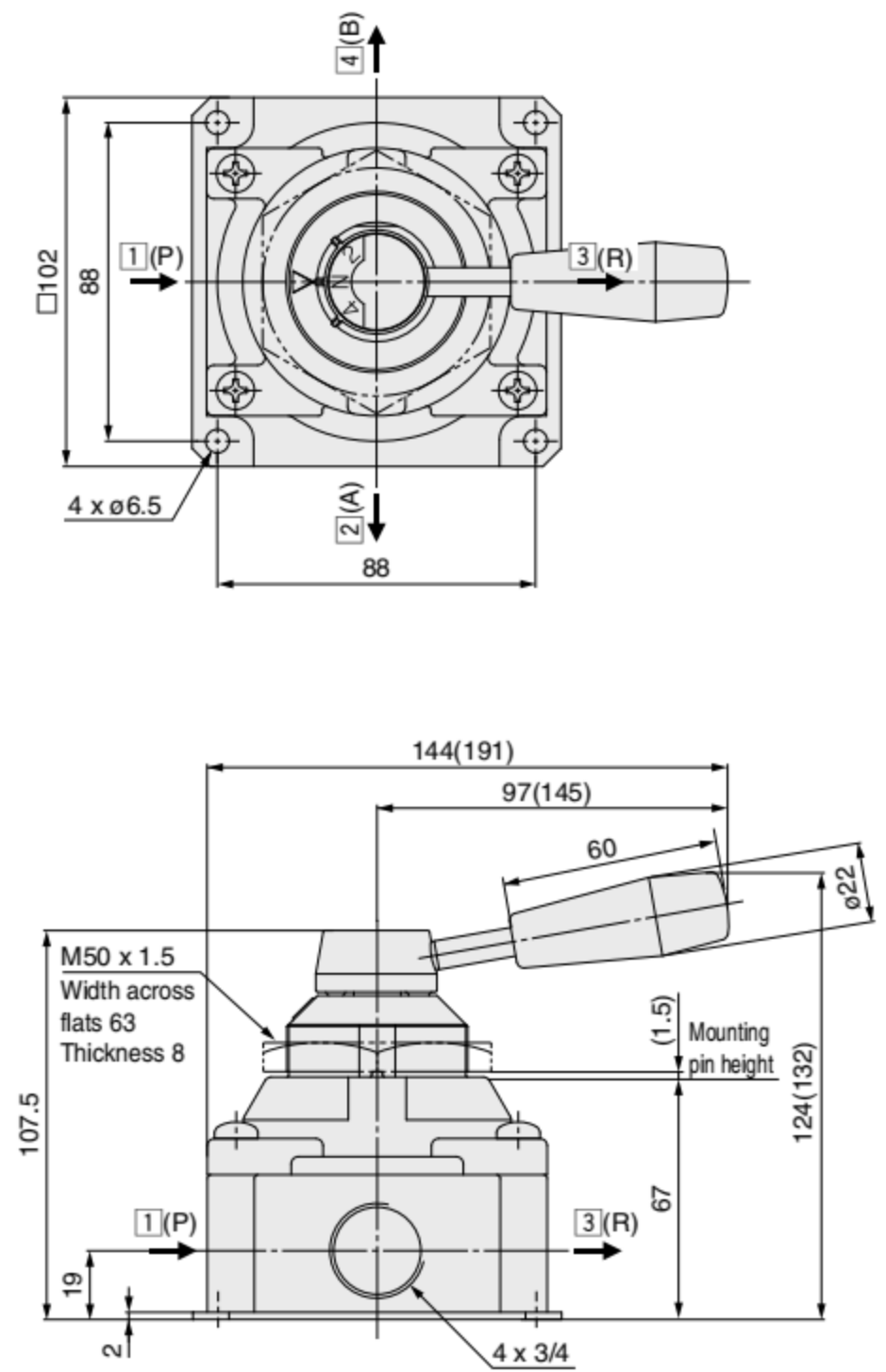
VH40□/41□-02 to 04

(): Long handle type

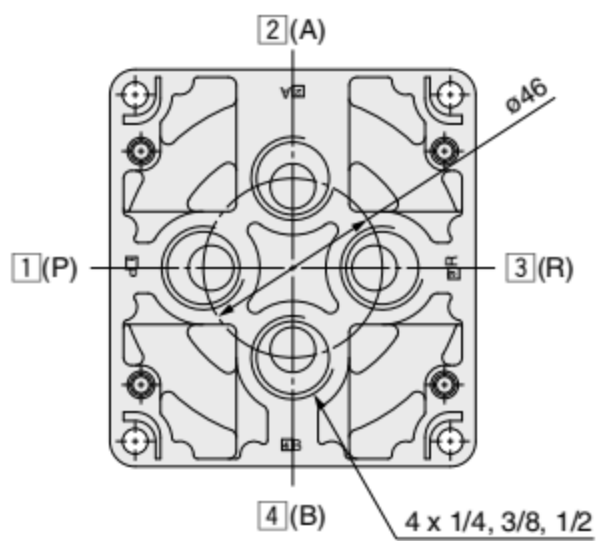


VH40□/41□-06

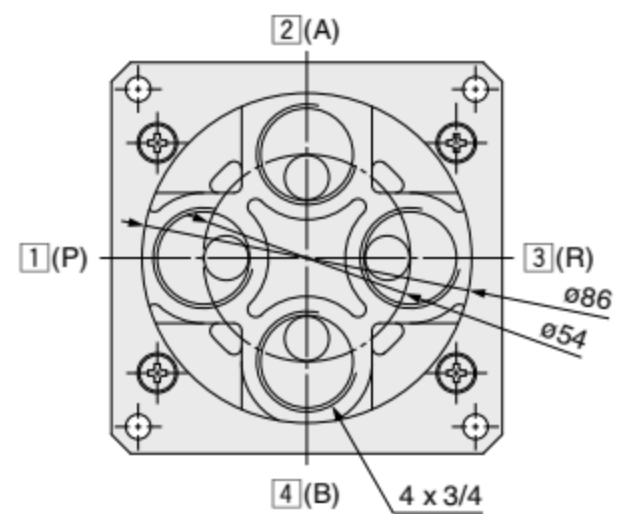
(): Long handle type



VH42□/43□-02 to 04 (Bottom ported)



VH42□/43□-06 (Bottom ported)





Dimensions: Body Mount

VH600-06/10

