



XY-015



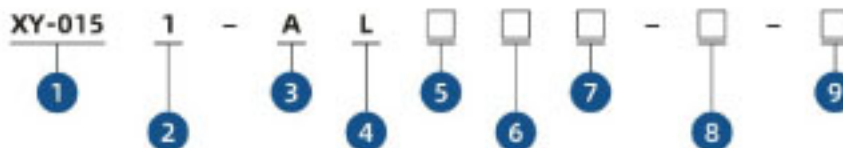
FEATURES

1. Small size and convenient installation.
2. Energy saving, high frequency, sustainable work, ED100%.
3. Large flow and wide application industry.
4. Fast response time and multiple uses.
5. Various power connection modes.
6. Low starting voltage, suitable for use under harsh Conditions.
7. Long life, more lasting.

INSTALL AND OPERATION

1. Before install, Pls be noted the service conditions of the valve, such as working pressure range and power supply conditions (AC and DC voltage).
2. Before install, conduct ventilation and power on test on the test bench to check whether the reversing performance is normal.
3. Before install, the rust, dust and other dirt in the pipeline shall be completely removed.
4. When installing the solenoid valve, pay attention to the installation position and the indicated air flow direction, and do not connect it wrongly. A water separation air filter, a pressure reducing valve and an oil mist lubricator must be installed upstream of the valve air source port to ensure that the supply valve has a certain pressure of dry, clean and lubricated air.

ORDERING CODE



1. Model Series
XY-015
2. Working Type
1:3/2 N.C
2:3/2 N.O
3. Voltage
A:AC220V
B:DC24V
C:AC110V
D:DC12V

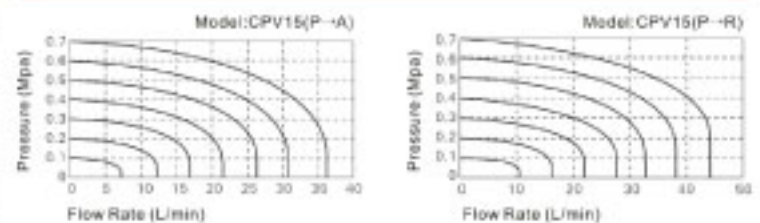
4. Connection Type
L:Vertical type
M:Parallel type
N:Vertical parallel universal
P:Pin type
5. Indicator light, surge voltage protection circuit
Blank: With indicator light and no surge voltage protection circuit
R: With indicator light and surge voltage protection circuit
Z: No indicator light, no surge voltage protection circuit
U: No indicator light, with surge voltage protection circuit
*Pin type without indicator

6. Exhaust Type
Blank: Exhaust Directly
N: Indirect Exhaust
7. Manual Lever Mode
Blank: With Manual Lever
1: Without Manual Lever
8. Insert mode (pin type optional)
A: Without insert
B: With insert
9. Connector mode (pin type optional)
C: With Connector
D: Without Connector

SPECIFICATION

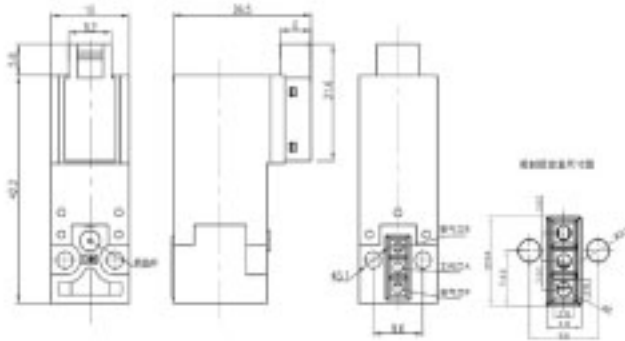
Model No.	XY-015
Type	3/2
Connection Type	Pin type/Vertical type/Parallel type/Vertical parallel Type
Working Medium	Compressed Air (filtered by 40µm filter screen)
Working Type	N.C, Direct Action
Voltage	DC12V, DC24V, AC110V, AC220V
Electrified rate	ED100%
Working pressure	0-7bar
Insulation Class	H
Protection Class	IP65
Power	2.5W
Response Time	Within 10ms
Max. Frequency	30Hz
Ambient temp	-10~+55℃
Life Cycles	≥ 50 million times

FLOW CHARACTERISTICS





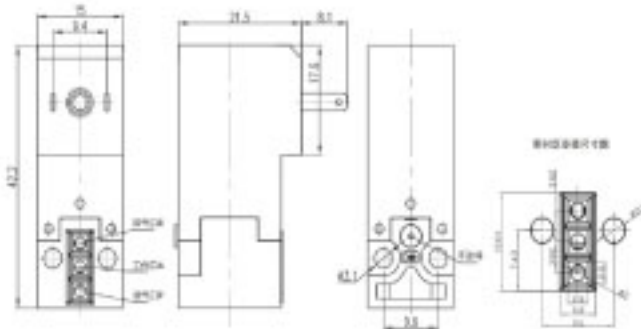
XY-015 (Parallel type)



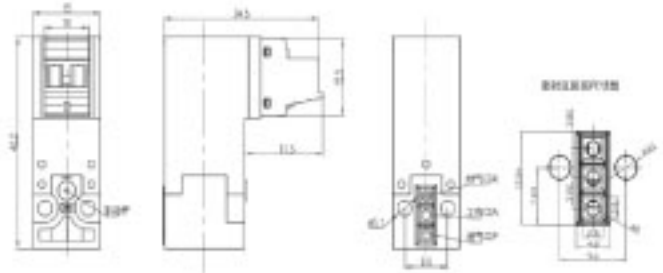
XY-015 (Vertical type)



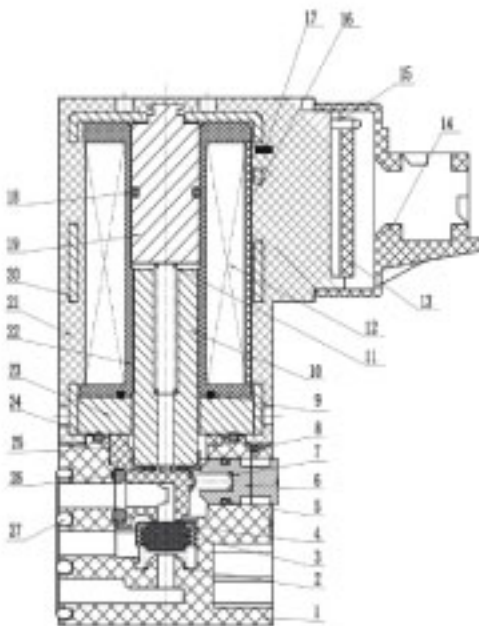
XY-015 (PIN Type)



XY-015 (Vertical parallel universal)



XY-015 (Profile)



No.	Description	Mat.	No.	Description	Mat.
1	Valve Body	Resin	16	Plastic sheet	Nylon
2	Spring	S.S	17	Small PIN	Brass
3	Plug	NBR	18	O-Ring	NBR
4	Ejector rod	Resin	19	Iron Core	Electromagnetic stainless steel
5	O-ring	NBR	20	Bracket	Carbon steel
6	Manual Lever	Resin	21	Encapsulation	Nylon
7	Spring	S.S	22	Bobbin	Resin
8	Fix Plate	S.S	23	Baseplate	Carbon steel
9	O-ring	NBR	24	O-Ring	NBR
10	Plunger	Electromagnetic stainless steel	25	Valve Port	Resin
11	Spring	S.S	26	O-Ring	NBR
12	Copper Wire	Brass	27		NBR
13	PCBA	PR-4	28	Seal	
14	Housing	PC	29		
15	Pin	Brass	30		